

To Valued Customers:

November 2019
Fuji Electric Co., Ltd.
Hakko Electronics Co., Ltd.

Defect Report: V-SFT Software

Thank you very much for your continued patronage of Fuji's Programmable Operator Interface – MONITOUCH.

We regret to inform you that we have identified a defect on the configuration software V-SFT as described below. Please read through this report carefully. We apologize for the inconvenience this may have caused. Your kind understanding would be highly appreciated.

1. Scope of the product

MONITOUCH configuration software V-SFT-6/V-SFT-5

2. Problem

X/Y device control and monitoring are not available when connecting a MONITOUCH HMI to the Fuji Electric PLC "MICREX-SX" model.

3. Scope of the HMI models effected

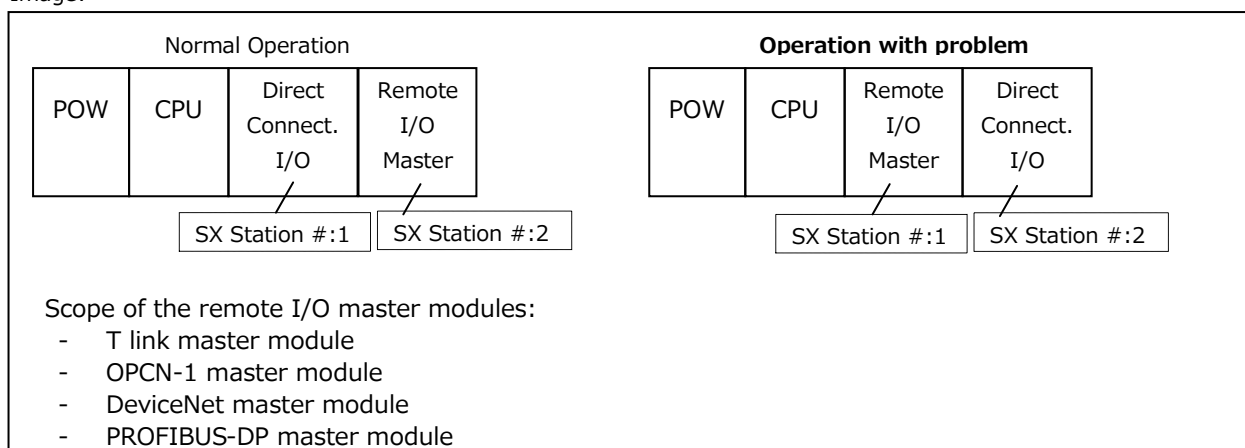
V9 series / TS series / V8 series / V7 series / V6 series
UG 40 series / UG30 series / UG20 series

4. Condition of the problem

Fulfilling all the following conditions causes the problem.

- 1) Use the software with below versions.
V-SFT-6 Ver. 6.0.32.0 – Ver. 6.0.34.0
V-SFT-5 Ver. 5.4.45.0
- 2) Fuji Electric PLC "MICREX-SX" is selected with [N mode] or [F mode] at the connecting device setting of V-SFT. (Fuji Electric's PLC programming software "SX-Programmer Standard" is used. If the programming software "SX-Programmer Expert" is used, the problem will not occur.)
- 3) On the PLC side, set [I/O extension mode: None] for the remote I/O master module.
- 4) In the PLC system configuration, the SX station # for the remote I/O master module is smaller than the one for the direct connection I/O module.,

Image:



MONITOUCH

5) X/Y device of the direct connection I/O module is used in the HMI screen program.

6) Transfer the screen program to the HMI unit.

*In case "remote I/O master module" is not used, the problem will not occur.

*In case "direct connection I/O module" is used only, the problem will not occur.

5. Cause of the problem

Software malfunction was confirmed in the "MICREX-SX device cooperation DLL" which is packaged with V-SFT. Memory addresses set to a X/Y device will not be mapped correctly due to the software modification that was implemented in V-SFT Ver.6.0.32.0/Ver.5.4.45.0.

6. Scope of the software version with the malfunction

V-SFT-6 Ver.6.0.32.0 (released on May 9th, 2019) – Ver.6.0.34.0 (released on Oct. 10th, 2019)

V-SFT-5 Ver.5.4.45.0 (released on Jun. 3rd, 2019)

7. Schedule of the measures

V-SFT-6 Ver.6.0.34.0 >> **Ver.6.0.35.0 applied to the shipments from Nov. 1st, 2019**

V-SFT-5 Ver.5.4.45.0 >> **Ver.5.4.46.0 applied to the shipments from Nov. 1st, 2019**

8. Restoration

The problem will be solved by transferring the HMI screen program with V-SFT Ver.6.0.35.0/Ver.5.4.46.0.

9. Schedule of the software update

You can download V-SFT Ver.6.0.35.0/Ver.5.4.46.0 from the below URL starting on Nov. 1st, 2019.

10. Website URL

<https://monitouch.fujielectric.com/site/support-e/download-index-01.html>